

Products Information **Pressure Transmitter series**

Company Overview

Environment Policy

Data Information

Download

HOME > Products Index > Pressure Transmitter > VPRQ(F)

PRODUCTS INFORMATION

Pressure Transmitter

General-purpose Pressure Transmitter for Middle High Pressure

Application Guide

Sanitary Sensor

Pressure Transmitter

Structural Schematics for Pressure Sensors

VDP4

VSR3(G3)

VESX/VESZ

VESW/VESY

VHR3(G3)

VPRNP

VESV/VESI

VESIM₀₀T

VESIM₀₀A

VTTV

VPRT(F)

VPRQ(F)

VPVT(F)

VPVQ(F)

P2VA1

P2VA2

VNF

VPRF

VFM

Intrinsic Safety Explosion-proof Barrier Zener-barrier

VSST

VCCP

VPKL

HS1/HV1

VSHS/VSHT

OEM Element

Accessories

Line Connection

Options

Power Converter

Caution

FAQ

Digital Panel Meter

Digital Pressure Meter with Directly Connected Sensor

Pressure Switch

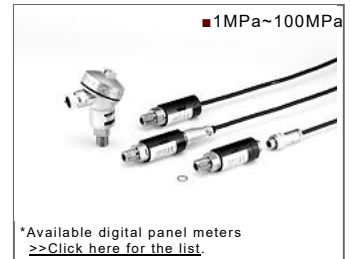
Pressure Sensor

Load Cell

VPRQ(F) series

- Sensor machined integral with diaphragm offers durability and long life.
- Abundant analog output available.
[4~20mA (2 wire system, 4 wire system), 1~5V, 0~5V, 0~10V]
- Economy type that offers quick delivery and low price.

Measured medium	Water, oil, gases or other media that will not corrode SUS630 or 15-5PH (precipitation-hardened stainless steel).
Pressure type	Positive and compound pressures can be measured.
Measured Range	Can be specified within the range of 1 kPa to 100 MPa of rated capacity (Calibration range: 0.5 MPa to 100 MPa). Specify more than 50% of rated capacity as the calibration range.
Output type	Specify among 4 to 20 mA (2-wire, 4-wire), 1 to 5 V, 0 to 5 V, and 0 to 10 V.

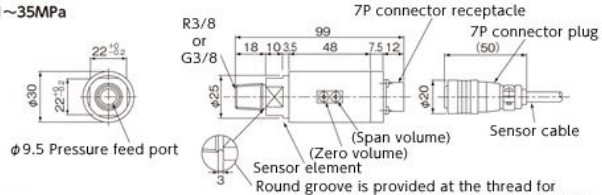


External dimensions (Unit:mm)

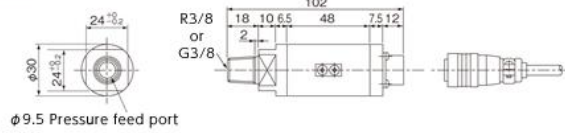
*Refer to line connection [here](#).

● **Standard type connector**

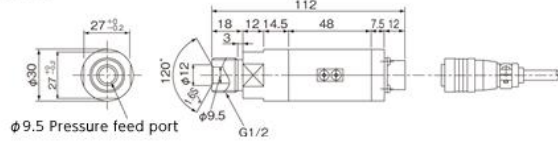
● **1~35MPa**



● **50MPa**

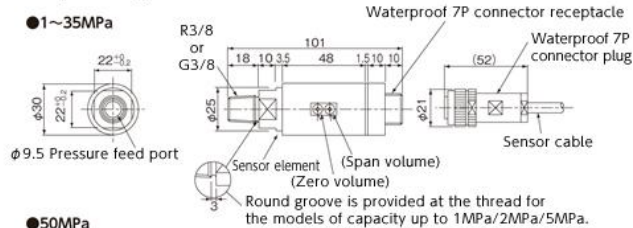


● **100MPa**

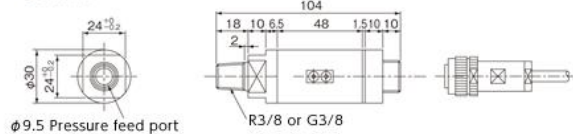


● **Waterproof type connector**

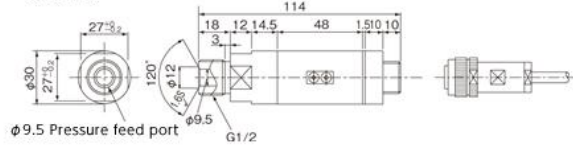
● **1~35MPa**



● **50MPa**

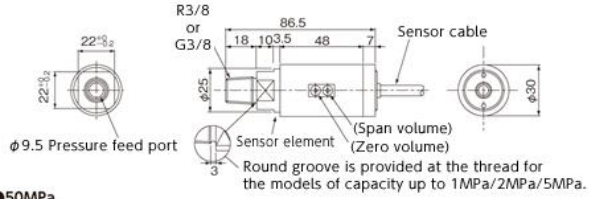


● **100MPa**

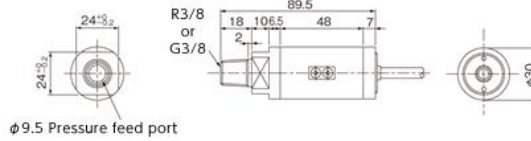


● Pigtail type

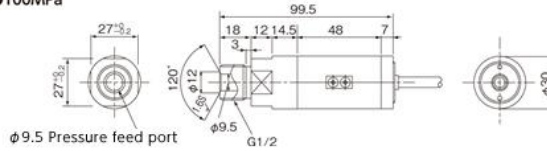
● 1~35MPa



● 50MPa

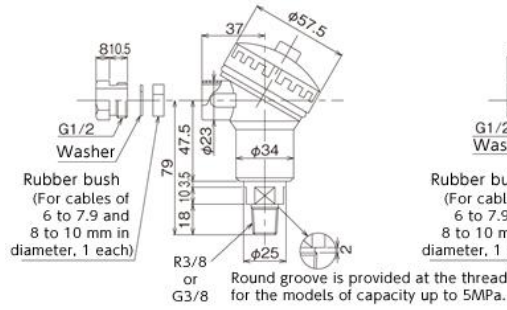


● 100MPa

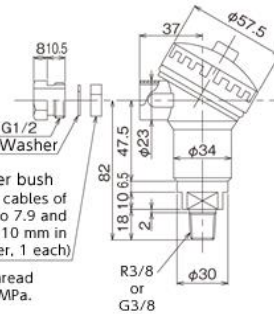


● Waterproof terminal box type

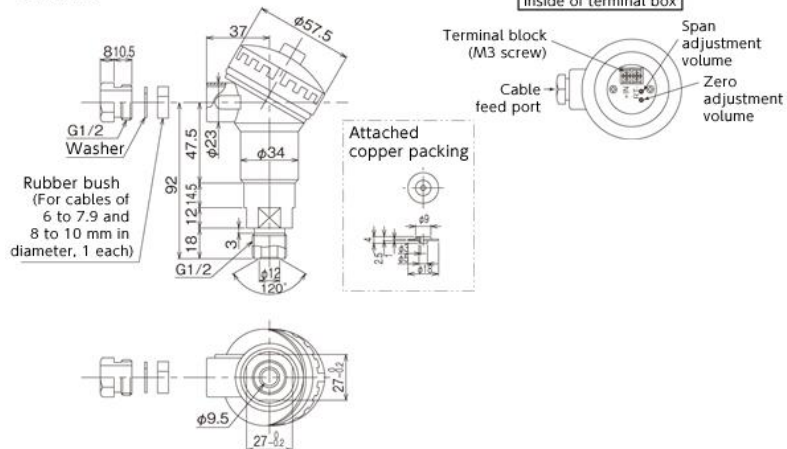
● 1~35MPa



● 50MPa



● 100MPa



[Learn more about specification.](#)